

MAC FAUCETS

Automatic Hand Dryer



Package Includes

HEPA filter

*Voltage
AC 110-120V
Single-phase*

*Input
1200-1450W*

*All hardware necessary for
satisfactory installation*



MODEL AHD-3

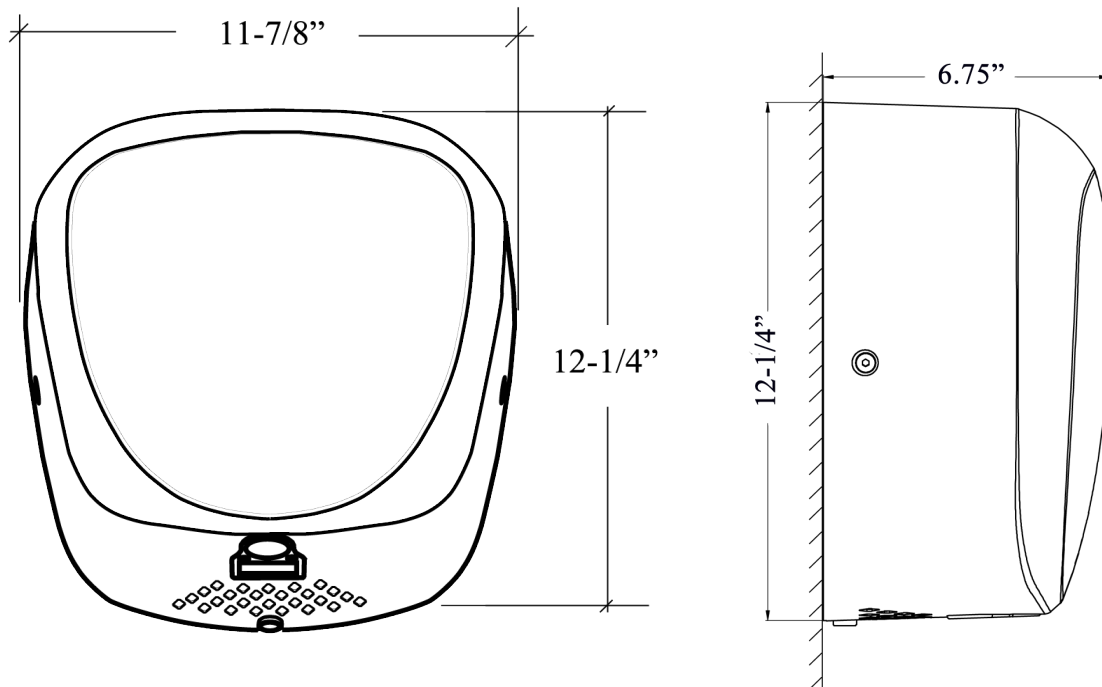


Features:

- 0-15 seconds dry time, quick dry for your hands
- 80% less energy than conventional hand dryers
- HEPA Filtration System proven to remove 99.97% of potentially bacteria
- 304 stainless steel one-piece molded cover, stable and durable
- Smart Heater adjust based on environment temperature, LED indicator
- CE/UL approval electric parts and overtime protection, quality and safe
- 45 seconds overtime protection and over heat protection
- Available in Twenty + Matching Finishes

SPECIFICATIONS	
MODEL:	VALUE
VOLTAGE:	110-120 ACV
PHASE:	SINGLE-PHASE
INPUT	1200-1450W
HEATING POWER:	650-750 W
SENSOR TYPE:	ACTIVE INFRARED,
SENSING RANGE:	6" - 8"
MOTOR	BRUSH MOTOR
WIND SPEED	70M/S
PROTECTION CLASS	1PX1
FINISHES	AVAILABLE IN 22 MATCHING FINISHES.

All Dimensions in Inches



NOTES: